

Figure 31 — Covers, Pointers, and Top of Column Parts, Electric and Pneumatic

REF. NO.	PART NAME	NO. REQ'D.
<b>A. COVER ASSEMBLIES</b>		
36006-1	Cover Bolt .....	2
36006-2	Shakeproof Washer, 5/16 .....	2
36006-3	Oil Filler Cup .....	1
36006-4	Cover, with Pointers .....	1
36006-5	Cover, no Pointers .....	1
36006-6	Cover Dowelling Bushing .....	2
36006-7	Cover Gasket .....	1
36006-8	Elastic Stop Nut, 1/4-28 .....	2
36006-9	Pointer Hub Pin, 3/32 x 7/16 Driv-Lok .....	2
36006-10	Pointer, Speed and Fuel Indicator .....	2
36006-11	Steel Washer, 17/64 x 1/2 x 1/32 .....	2
36006-12	Phillips Screw, 8-32 x 1/4 .....	3
36006-13	Drilled Fil. Head Screw, 8-32 x 1/4 .....	1
36006-14	Dial, Indicator — Nameplate .....	1
36006-15	Pointer Stop Pin .....	2
36006-16	Cotter Pin, 3/32 x 1 .....	2
36006-17	Hex. Nut, 5/16-24 .....	2
36006-18	Indicator Shaft Arm Pin .....	2
36006-19	Driv-Lok Pin, 3/32 x 5/8 .....	2
36006-20	Indicator Shaft Arm .....	2
36006-21	Steel Washer, 21/64 x 9/16 x 1/16 .....	2
36006-22	Indicator Shaft Spring .....	2
36006-23	Speed Indicator Shaft .....	1
36006-24	Fuel Indicator Shaft .....	1
36006-25	Indicator Shaft Bearing (Oilite) .....	4

### B. SOLENOID BRACKET ASSEMBLIES

36006-26	Cap Screw, Soc. Hd., 1/4-28 x 2 3/8	Electric ..... 3 Pneumatic ..... 1
36006-27	Cap Screw, Soc. Hd., 1/4-28 x 1 1/4	Pneumatic ..... 1
36006-28	Cap Screw, Soc. Hd., 1/4-28 x 1 3/4	Pneumatic ..... 1
36006-29	Split Lock Washer, 17/64 x 27/64 x 1/16	3
36006-30	Set Screw, Soc. Hd., 10-32 x 1/4	Electric ..... 5 Pneumatic ..... 2
36006-31	Solenoid Lock Nut	Electric ..... 5 Pneumatic ..... 2
36006-32	Solenoid Plunger Stop Plug	Electric ..... 5 Pneumatic ..... 2
36006-33	Solenoid Case	Electric ..... 5 Pneumatic ..... 1
36006-34	Soldering Shield Washer	Electric ..... 10 Pneumatic ..... 4
36006-35	Varnished Tubing	Electric ..... 10 Pneumatic ..... 4
36006-36	Solenoid Plunger Guide	Electric ..... 5 Pneumatic ..... 1
36006-37	Solenoid Plunger Guide Locating Pin	Electric ..... 5 Pneumatic ..... 2
36006-38	Solenoid Plunger Rod	Electric ..... 5 Pneumatic ..... 1
36006-39	Solenoid Plunger Rod Snap Ring	Electric ..... 5 Pneumatic ..... 1
36006-40	Solenoid Plunger Guide Bushing	Electric ..... 10 Pneumatic ..... 4
36006-41	Solenoid Plunger Washer	Electric ..... 5 Pneumatic ..... 2
36006-42	Solenoid Plunger	Electric ..... 5 Pneumatic ..... 1
36006-43	Solenoid Coil	Electric ..... 5 Pneumatic ..... 2
36006-44	Solenoid Coil Insulating Paper	Electric ..... 5 Pneumatic ..... 2
36006-45	Solenoid Load Spring	Electric ..... 5 Pneumatic ..... 2
36006-46	Shutdown Solenoid Case	Pneumatic ..... 1
36006-47	Shutdown Solenoid Plunger Lock Pin	Pneumatic ..... 1

REF. NO.	PART NAME	NO. REQ'D.
36006-48	Spring Retainer Nut .....	Pneumatic ..... 1
36006-49	Shutdown Valve Spring .....	Pneumatic ..... 1
36006-50	Shutdown Valve, 1/4 Steel Ball .....	Pneumatic ..... 1
36006-51	Shutdown Valve Body .....	Pneumatic ..... 1
36006-52	Shutdown Sol. Plunger Rod .....	Pneumatic ..... 1
36006-53	Shutdown Solenoid Plunger .....	Pneumatic ..... 1
36006-54	Shutdown Solenoid Plunger Adjusting Screw	Pneumatic ..... 1
36006-55	"O" Ring, Adjusting Screw .....	Pneumatic ..... 2
36006-56	"O" Ring (SD Transfer Hole) .....	Pneumatic ..... 1
36006-57	Screw, Round Head, Parker Kalon No. 8 x 1 1/4	Electric ..... 3
36006-58	Speed Nut, No. 8 .....	Electric ..... 3 Pneumatic ..... 1
36006-59	Wiring Cover .....	Electric ..... 1
36006-60	Screw, Round Head, Parker Kalon No. 8 x 1	Pneumatic ..... 1
36006-61	Wiring Cover .....	Pneumatic ..... 1
36006-62	Screw, Rd. Hd., 8-32 x 3/8 .....	2
36006-63	Washer, No. 8 Shakeproof .....	2
36006-64	Wire Clamp (2-wire) .....	Electric ..... 2
36006-65	Wire Clamp (1-wire) .....	Pneumatic ..... 2
36006-66	Gasket (Elect. Conn. Plate) .....	1
36006-67	Screw, Flat Hd., 10-32 x 3/8 .....	4
36006-68	Electrical Connector Plate .....	1
36006-69	Electrical Connector Assembly—Electric .....	1
36006-70	Electrical Connector Assembly—Pneumatic .....	1

### C. AIR RECEIVER and PNEUMATIC SPEED CONTROL PARTS

36006-71	Pivot Pin (Control Lever) .....	1
36006-72	Hex. Nut, 3/8-32 (Idle Speed Screw) .....	1
36006-73	Washer, 3/8 x 3/4 x 1/16 .....	1
36006-74	Idle Speed Setting Screw .....	1
36006-75	Hex. Nut, 10-32 .....	3
36006-76	Set Screw, Soc. 10-32 x 1/2 (Slide Block) .....	1
36006-77	Set Screw, Soc. 10-32 x 3/4 (Bypass and High Speed Stop) .....	2
36006-78	Slide Block (Control Lever) .....	1
36006-79	Speed Control Lever .....	1
36006-80	Needle Bearings (Control Lever) .....	2
36006-81	Diaphragm Link .....	1
36006-82	Floating Lever Link .....	1
36006-83	Headed Pin (Bypass) .....	1
36006-84	Spring (Bypass Pin) .....	1
36006-85	Cap Screw, Hex. Hd., 1/4-28 x 1 3/8 .....	3
36006-86	Washer, 17/64 Split Lock .....	3
36006-87	Pneumatic Receiver Cap .....	1
36006-88	Receiver Diaphragm Spring .....	1
36006-89	Receiver Diaphragm Nut .....	1
36006-90	Keyed Retaining Washer .....	1
36006-91	Diaphragm Washer .....	1
36006-92	Receiver Diaphragm .....	1
36006-93	Diaphragm Spring Seat .....	1

### SPEED SETTING BRACKETS

36006-94	Electro-Hydraulic, (No Micro Switches) .....	1
36006-95	Electro-Hydraulic with Mtg. Pad for Micro Switches .....	1
36006-96	Pneumatic-Hydraulic, (No Micro Switches) .....	1
36006-97	Pneumatic-Hydraulic, with Mtg. Pad for Micro Switches .....	1
36006-98	Bracket Dowels, 1/4 x 9/16 Driv-Lok .....	2
36006-99	Cap Screw, Soc. Hd. 10-32 x 2 1/4 .....	Electric ..... 2
36006-100	Cap Screw, Soc. Hd. 10-32 x 1 3/4 .....	Pneumatic ..... 2
36006-101	Washer, No. 10 Split Lock .....	2
36006-102	Switch Bracket Clamp Plate .....	1
36006-103	Signal Switch Mounting Bracket .....	1
36006-104	Signal Switch (Lube Oil Failure) .....	1
36006-105	Triangular Plate Assembly .....	1
36006-106	Bypass Screw (in Triangular Plate) .....	1

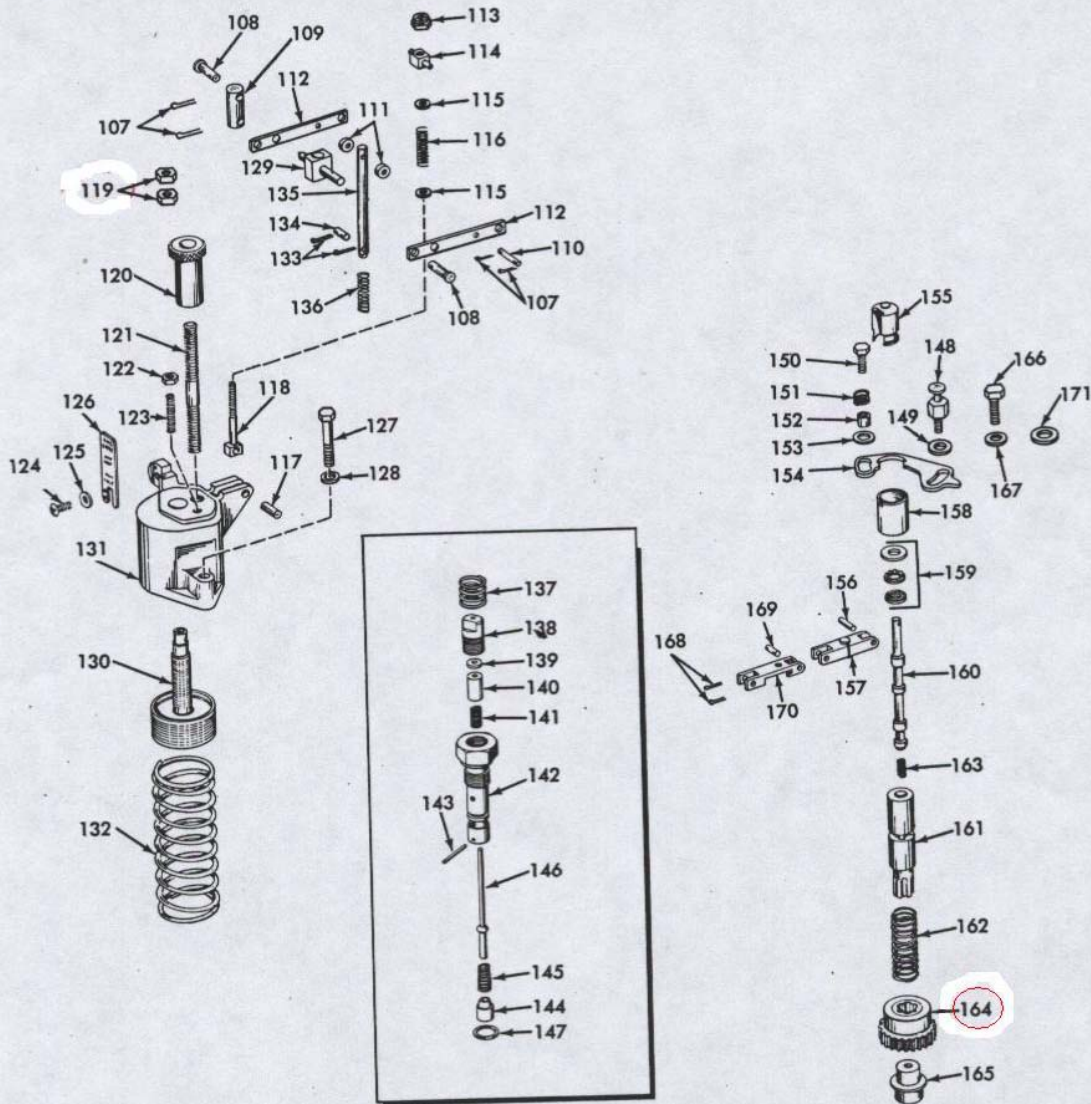


Figure 32 — Speed Setting Servo, Bypass Valve, Speed Setting Pilot Valve and Bushing

REF. NO.	PART NAME	NO. REQ'D.
<b>D. SPEED SETTING SERVO ASSEMBLY</b>		
36006-107	Cotter Pin, 1/16 x 3/8.....	4
36006-108	Headed Pin, 3/16 x 25/32.....	2
36006-109	Pivot Pin Link, 1/2 Diam.....	1
36006-110	Straight Pin, 1/8 Diam.....	1
36006-111	Link Spacer .....	2
36006-112	Restoring Lever .....	2
36006-113	Base Speed Setting Nut, 10-32 Flex Lok .....	1
36006-114	Adjustable Fulcrum Pin .....	1
36006-115	Fulcrum Spring Washer .....	2
36006-116	Adjustable Fulcrum Spring .....	1
36006-117	Fulcrum Screw Hinge Pin .....	1
36006-118	Adjustable Fulcrum Screw .....	1
36006-119	Shutdown Nuts, 8-32 Hex. ....	2
36006-120	Manual Speed Setting Tool.....	1
36006-121	Manual Speed Setting Stud.....	1
36006-122	Lock Nut, 10-32 Hex.....	1
36006-123	Speed Setting Piston Stop Screw.....	1
36006-124	Screw, Phil. Rd. Hd., 10-32 x 3/8.....	1
36006-125	Washer, 13/64 x 7/16 x 1/32.....	1
36006-126	Speed Indicator Scale .....	1
36006-127	Cap Screw, Hex. Hd., 1/4-28 x 1 3/8....	2
36006-128	Washer, 17/64 x 1/2 x 1/32.....	2
36006-129	Speed Setting Piston Fulcrum Assembly .....	1
36006-130	Speed Setting Piston Assembly.....	1
36006-131	Speed Setting Cylinder Assembly.....	1
36006-132	Speed Setting Piston Spring.....	1
36006-133	Cotter Pin, 1/16 x 3/8.....	2
36006-134	Restoring Link Pin, 1/8 x 47/64.....	1
36006-135	Restoring Link .....	1
36006-136	Restoring Link Spring .....	1
<b>E. BYPASS VALVE ASSEMBLY</b>		
36006-137	Solenoid Counter Balance Spring ....	1
36006-138	Seal Retaining Nut .....	1
36006-139	Seal Ring .....	1

REF. NO.	PART NAME	NO. REQ'D.
36006-140	Seal Spring Retainer .....	1
36006-141	Seal Spring .....	1
36006-142	Bypass Valve Body .....	1
36006-143	Valve Spring Seat Pin, 1/16 x 13/32 ..	1
36006-144	Valve Spring Seat .....	1
36006-145	Valve Spring .....	1
36006-146	Bypass Valve Plunger .....	1
36006-147	"O" Ring, (Valve Body).....	1
<b>F. SPEED SETTING PILOT VALVE and BUSHING ASSEMBLY</b>		
36006-148	Bushing Retainer Screw .....	Electric 1
36006-149	Washer, 17/64 .....	Electric 1
36006-150	Cap Screw, Hex. Hd. 1/4-28 x 3/4.....	1
36006-151	Bushing Retainer Spring .....	1
36006-152	Retainer Spring Collar .....	1
36006-153	Retainer Spring Washer, 21/64.....	1
36006-154	Regulating Bushing Retainer .....	1
36006-155	"D" Solenoid Cup with Pin ..	Electric 1
36006-156	Pilot Valve Pin .....	Electric 1
36006-157	Floating Lever Assembly .....	Electric 1
36006-158	Regulating Bushing .....	1
36006-159	Thrust Bearing (Complete—3 pcs.) ..	1
36006-160	Pilot Valve Plunger .....	1
36006-161	Pilot Valve Bushing .....	1
36006-162	Pilot Valve Bushing Spring .....	1
36006-163	Pilot Valve Plunger Spring.....	1
36006-164	Pilot Valve Bushing Drive Gear.....	1
36006-165	Bearing Stud .....	1
36006-166	Cap. Screw, Hex. Hd. 1/4-28 x 1/2 .....	Pneumatic 1
36006-167	Washer, 17/64 .....	Pneumatic 1
36006-168	Cotter Pin, 1/16 x 3/8.....	Pneumatic 2
36006-169	Pilot Valve Pin, 1/8 x 47/64 .....	Pneumatic 1
36006-170	Floating Lever .....	Pneumatic 1
36006-171	Thrust Bearing Retaining Washer .....	Pneumatic 1

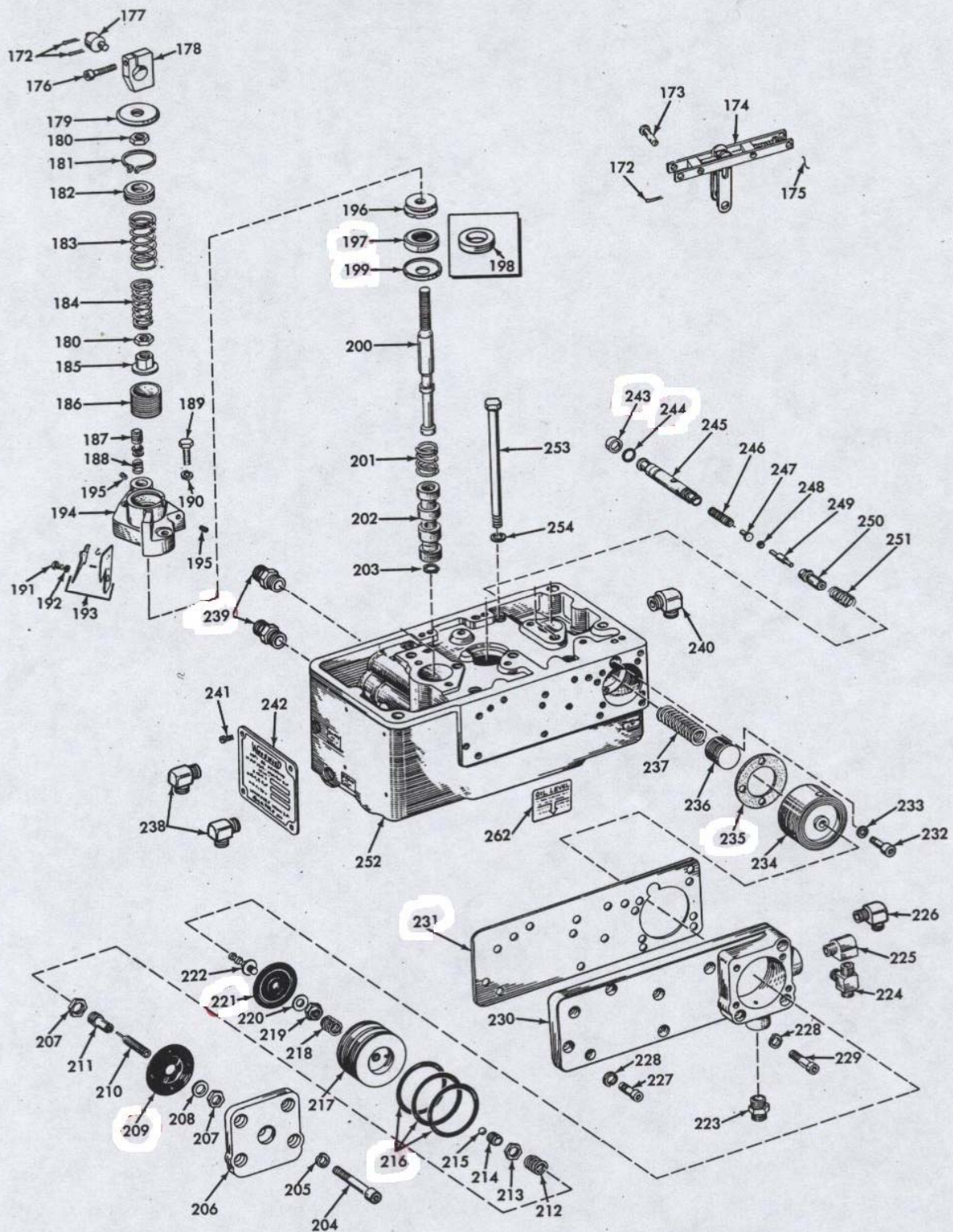


Figure 33 — Load Control Valve, Overriding Valve, Oil Failure Shutdown Valve, Column, Tubing Connections, Pipe Plugs, etc.

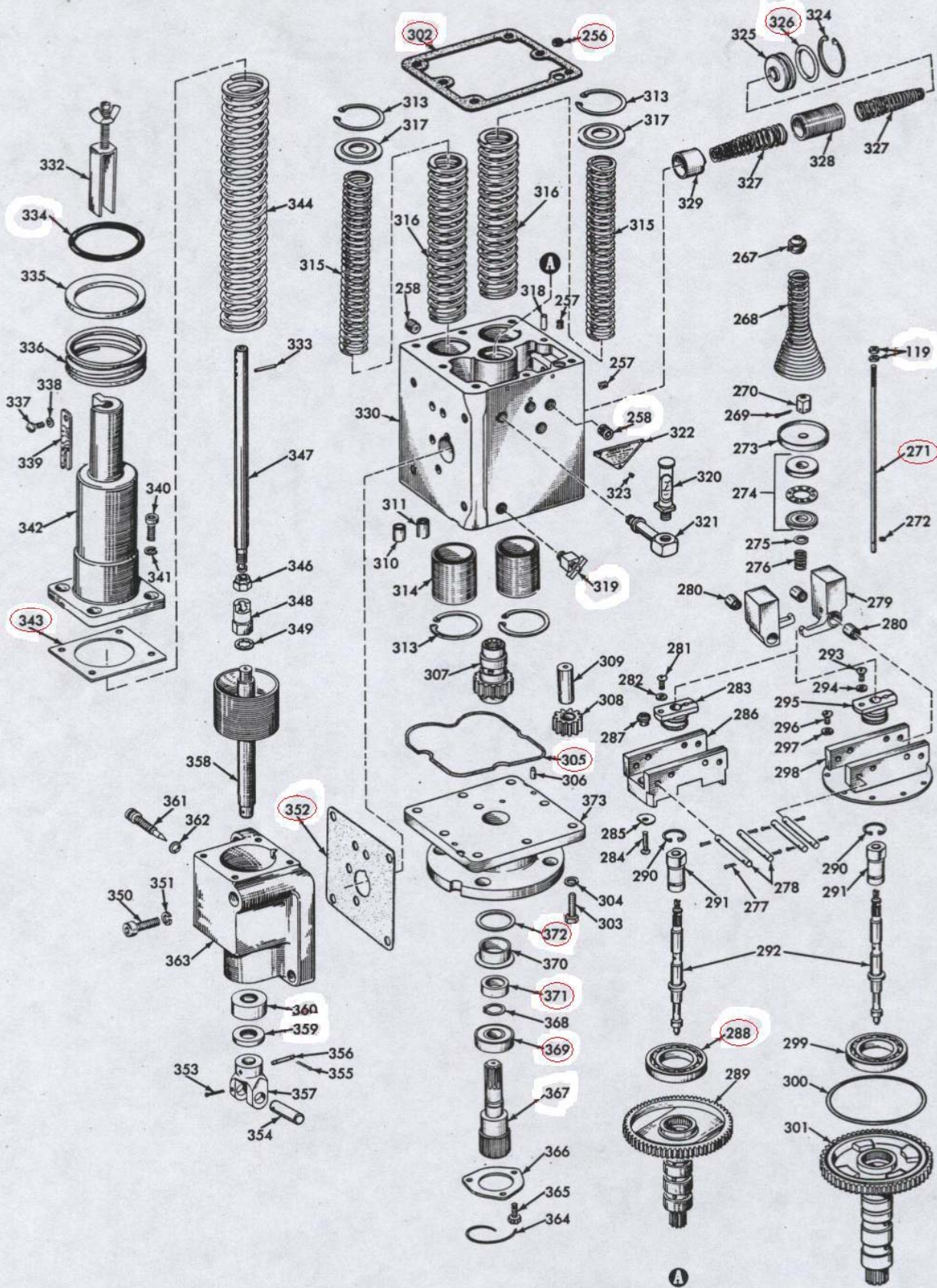
REF. NO.	PART NAME	NO. REQ'D.
<b>G. LOAD CONTROL PILOT VALVE ASSEMBLY and OVERRIDING VALVE</b>		
36006-172	Cotter Pin, 1/16 x 3/8	3
36006-173	Headed Pin, 3/16 x 25/32 (Tail Rod)	1
36006-174	Adjustable Floating Lever Assembly	1
36006-175	Bronze Lock Wire .035 x 2	1
36006-176	Soc. Hd. Cap Screw, 1/4-28 x 3/4	1
36006-177	Load Control Valve Eccentric	1
36006-178	Adjusting Block	1
36006-179	Load Control Indicator Washer	1
36006-180	Lock Nut, 5/16-24	2
36006-181	Spring Retainer Snap Ring	1
36006-182	Load Control Spring Retainer	1
36006-183	Outer Load Control Valve Spring	1
36006-184	Inner Load Control Valve Spring	1
36006-185	Load Control Valve Spring Collar	1
36006-186	Overriding Piston	1
36006-187	Overriding Valve Plunger	1
36006-188	Overriding Valve Plunger Spring	1
36006-189	Cap Screw, Hex. Hd., 1/4-28 x 1	2
36006-190	Split Lock Washer, 17/64	2
36006-191	Phil. Screw, 10-32 x 1/4	1
36006-192	Washer, 13/64 x 7/16 x 1/32	1
36006-193	Load Control Indicator Scale and Pointer Assembly	1
36006-194	Overriding Cylinder	1
36006-195	Taper Screw, 1/4-28	2
36006-196	Overriding Cylinder Head	1
36006-197	L.C. Plunger Oil Seal	1
36006-198	Spacer (if no Oil Seal)	1
36006-199	L.C. Oil Seal Gasket	1
36006-200	L.C. Pilot Valve Plunger	1
36006-201	L.C. Pilot Valve Bushing Spring	1
36006-202	L.C. Pilot Valve Bushing	1
36006-203	Bushing Snap Ring, Waldes 50 - 43	1

<b>H. OIL FAILURE SHUTDOWN MECHANISM</b>		
(with High Oil Suction — Vacuum — Protection)		
36006-204	Soc. Hd. Cap Screw, 1/4-28 x 2	4
36006-205	Split Lock Washer, 17/64	4
36006-206	Diaphragm Cap	1
36006-207	Vacuum Diaphragm Nut, Special 3/8-24	2
36006-208	Vacuum Diaphragm Washer	1
36006-209	Vacuum Diaphragm	1
36006-210	Diaphragm Stop Screw	1
36006-211	Vacuum Diaphragm Holder	1
36006-212	Vacuum Diaphragm Spring	1
36006-213	Valve Seat Nut, Special 3/8-24	1
36006-214	Ball Valve Seat	1
36006-215	Steel Ball, 3/16 Diam.	1
36006-216	Valve Body "O" Rings, AN 6230-2	3
36006-217	Valve Body	1
(All units with Lube Oil Pressure Failure Protection)		
36006-218	Oil Pressure Failure Diaphragm Spring	1
36006-219	Elastic Stop Nut, Thin, 10-32	1
36006-220	Oil Failure Diaphragm Washer	1
36006-221	Oil Pressure Failure Diaphragm	1
36006-222	Oil Failure Valve Plunger	1

REF. NO.	PART NAME	NO. REQ'D.
36006-223	Straight Half-Union, 1/4 NPT - 1/4 Tube (Lube Oil Suction)	AR
36006-224	90° Tee, 1/4 NPT - 1/4 Tube (Lube Oil Pressure, used with 225)	AR
36006-225	Street Elbow, 1/4 NPT (Lube Oil Pressure)	AR
36006-226	90° Elbow, 1/4 NPT - 1/4 Tube (Lube Oil Pressure)	AR
36006-227	Soc. Hd. Screw, 1/4-28 x 3/4	7
36006-228	Split Lock Washer, 17/64	10
36006-229	Soc. Hd. Screw, 1/4-28 x 1 1/2	3
36006-230	Side Plate (Square Diaphragm Cover)	1
36006-231	Side Plate Gasket	1
NOTE: For Side Plate and related parts used on Governors with Integral Load Regulator — See Section X.		
36006-232	Soc. Hd. Cap Screw, 1/4-28 x 3/8	1
36006-233	Washer, 1/4	1
36006-234	Oil Failure Valve Bushing Assembly	1
36006-235	Oil Failure Valve Bushing Gasket	1
36006-236	Oil Pressure Failure Piston	1
36006-237	Oil Failure Piston Spring	1
36006-238	90° Elbow, 3/8 NPT - 1/2 Tube (Load Control — Load Regulator Oil)	AR
36006-239	Straight Half Union, 3/8 NPT - 1/2 Tube (Load Control — Load Regulator Oil)	AR
36006-240	90° Elbow, 1/8 NPT - 1/4 Tube (Control Air)	AR
36006-241	Nameplate Screws, 8-32 x 1/4	4
36006-242	Nameplate (Large) on Column Automatic and Manual Shutdown Plunger Parts	1
36006-243	Plunger Tubing — Red	1
36006-244	"O" Ring, AN 6227-7	1
36006-245	Shutdown Plunger	1
36006-246	Ball Valve Spring	1
36006-247	Headed Pin	1
36006-248	Steel Ball, 1/4	1
36006-249	Shutdown Plunger Pin	1
36006-250	Ball Valve Seat	1
36006-251	Shutdown Plunger Spring	1

<b>J. STRIPPED COLUMN</b>		
36006-252	Column and Insert Assembly	1
36006-253	Hex. Hd. Cap Screw, 5/16 x 4-23/32	4
36006-254	Split Lock Washer, 5/16	4
36006-255	"O" Ring, AN6227-5 (Transfer Holes, Oil and Air, Top of Column)	NI AR
36006-256	Neoprene Ring (Transfer Hole for Speed Setting Oil, Case to Column) See Fig. 34	1
36006-257	Pipe Plug, Hex. Soc., 1/16 NPT. See Fig. 34	AR
36006-258	Pipe Plug, Hex. Soc., 1/8 NPT. See Fig. 34	AR
36006-259	Pipe Plug, Hex. Soc., 1/4 NPT	NI AR
36006-260	Pipe Plug, Hex. Soc., 3/8 NPT	NI AR
36006-261	Decal Pipe Connection Labels	NI AR
36006-262	Decal Oil Level Label	1
36006-263	Nameplate Insert	NI 1
36006-264	Nameplate Insert Screws, 5 - 40 x 1/4	NI 2
36006-265	Nameplate (Small) on Column (if used)	NI 1
36006-266	Drive Screw	NI 2

NOTE: AR — As Required, NI — Not Illustrated.



REF. NO.	PART NAME	NO. REQ'D.
<b>K. FLYWEIGHT HEAD and ROTATING SLEEVE ASSEMBLY</b>		
36006-267	Speeder Spring Check Plug .....	1
36006-268	Speeder Spring .....	1
36006-269	Cotter Pin, 1/16 x 5/8.....	1
36006-270	Pilot Valve Plunger Nut .....	1
36006-271	Shutdown Rod .....	1
36006-272	Shutdown Rod Retaining Ring .....	1
36006-273	Speeder Spring Seat .....	1
36006-274	Thrust Bearing .....	1
36006-275	Adjusting Spring Washer .....	1
36006-276	Adjusting Spring .....	1
36006-277	Cotter Pin, 1/16 x 7/16 .....	8
36006-278	Flyweight Pin/Limit Pin .....	4
36006-279	Flyweight .....	2
36006-280	Flyweight Bearing .....	4
<b>Spring Coupled — Undamped Flyweight Head Assembly</b>		
36006-281	Screw, Rd. Hd., 6-32 x 5/16 .....	1
36006-282	Lock Washer, No. 6 .....	1
36006-283	Centering Spring Coupling Assembly.....	1
36006-284	Screw, Rd. Hd., 10-32 x 3/4 .....	2
36006-285	Washer, Special .....	2
36006-286	Flyweight Head .....	1
36006-287	Spline Nut, 10-32 .....	2
36006-288	Centering Bearing .....	1
36006-289	Flyweight Head Gear and Pilot Valve Bushing Assembly .....	1
36006-290	Snap Ring .....	1
36006-291	Compensating Bushing .....	1
36006-292	Pilot Valve Plunger .....	1
<b>Spring Coupled — Oil Damped Flyweight Head Assembly</b>		
36006-293	Screw, Rd. Hd., 8-32 x 5/16 .....	1
36006-294	Lock Washer, No. 8 .....	1
36006-295	Centering Spring Coupling Assembly .....	1
36006-296	Screw, Fil. Hd., 5-40 x 9/32 .....	8
36006-297	Lock Washer, No. 5 .....	8
36006-298	Flyweight Head, Sub-Assembly .....	1
36006-299	Centering Bearing .....	1
36006-300	Oil Seal Ring .....	1
36006-301	Flyweight Head Gear and Pilot Valve Bushing Assembly .....	1
Also Parts 290, 291, 292 — Listed Above.		
<b>L. POWER CASE ASSEMBLY</b>		
36006-302	Gasket — Case/Column .....	1
36006-303	Cap Screw, Hex. Hd., 5/16-18 x 1, Case/Base..	8
36006-304	Lock Washer, 21/64, Case/Base .....	8
36006-305	Oil Seal Ring, Case/Base .....	1
36006-306	Dowel Pin, Case/Base .....	2
36006-307	Drive Gear .....	1
36006-308	Idler Gear .....	1
36006-309	Idler Gear Stud .....	1
36006-310	Check Valve Assembly, Pump Discharge.....	2
36006-311	Check Valve Assembly, Pump Suction.....	2
36006-312	Check Valve Hole Plug (EMD No Check Valves) .....	2
36006-313	Snap Ring (Accumulator) .....	4
36006-314	Accumulator Piston .....	2
36006-315	Accumulator Spring, Small .....	2
36006-316	Accumulator Spring, Large .....	2
36006-317	Accumulator Spring Seat .....	2

REF. NO.	PART NAME	NO. REQ'D.
36006-318	Dowel Pin, Case/Column .....	2
36006-319	Drain Valve .....	1
36006-320	Oil Gage .....	1
36006-321	Oil Gage Elbow .....	1
36006-322	Bleed Plug Name Plate .....	1
36006-323	Bleed Plate Drive Screw .....	3
36006-324	Snap Ring — Buffer Plug .....	1
36006-325	Buffer Plug .....	1
36006-326	"O" Ring — Buffer Plug .....	1
36006-327	Buffer Spring .....	2
36006-328	Buffer Piston .....	1
36006-329	Inner Spring Seat .....	1
36006-330	Power Case .....	1
<b>M. POWER CYLINDER ASSEMBLY — (Rod End Governor)</b>		
36006-332	Fuel Jack Assembly (Adjusting Tool).....	1
36006-333	Fuel Indicator Pin (in Tail Rod).....	1
36006-334	"O" Ring, Spring Guard Seal .....	1
36006-335	Spring Guard Seal Ring .....	1
36006-336	Spring Guard Seal Spring .....	1
36006-337	Screw, Phil. Hd., 10-32 x 3/8 .....	2
36006-338	Washer, No. 10 .....	2
36006-339	Piston Gap Scale .....	1
36006-340	Screw, Soc. Hd., 1/4-28 x 1/2 .....	4
36006-341	Washer, 1/4 Shakeproof .....	4
36006-342	Spring Guard .....	1
36006-343	Spring Guard Gasket .....	1
36006-344	Power Spring .....	1
36006-345	Power Piston Stop Ring (if used).....	1
36006-346	Tail Rod Flex-Loc Nut, 3/8-24 .....	1
36006-347	Power Piston Tail Rod .....	1
36006-348	Tail Rod Lift Nut .....	1
36006-349	Washer, 3/8 Shakeproof .....	1
36006-350	Screw, Soc. Hd., 3/8 x 1 .....	4
36006-351	Split Lock Washer, 3/8 .....	4
36006-352	Gasket, Power Cyl./Case .....	1
36006-353	Cotter Pin, 3/32 x 1 1/4 .....	1
36006-354	Rod End Pin, 3/8 x 7/8 .....	1
36006-355	Cotter Pin, 1/16 x 3/8 .....	1
36006-356	Taper Pin (Rod End) .....	1
36006-357	Rod End .....	1
36006-358	Power Piston and Rod Assembly .....	1
36006-359	Oil Seal, Type G .....	1
36006-360	Oil Seal, Type P .....	1
36006-361	Compensating Needle Valve .....	1
36006-362	"O" Ring (Needle Valve) .....	1
36006-363	Power Cylinder .....	1
<b>N. BASE ASSEMBLY</b>		
36006-364	Bronze Lock Wire, .035 x 6.....	1
36006-365	Cap Screw, Dr. Hex. Hd., 1/4-28 x 3/8 .....	3
36006-366	Drive Shaft Retainer Ring .....	1
36006-367	Drive Shaft, Serrated .....	1
36006-368	Bearing Snap Ring .....	1
36006-369	Drive Shaft Bearing .....	1
36006-370	Oil Seal Retainer .....	1
36006-371	Oil Seal .....	1
36006-372	Gasket Ring .....	1
36006-373	Base .....	1

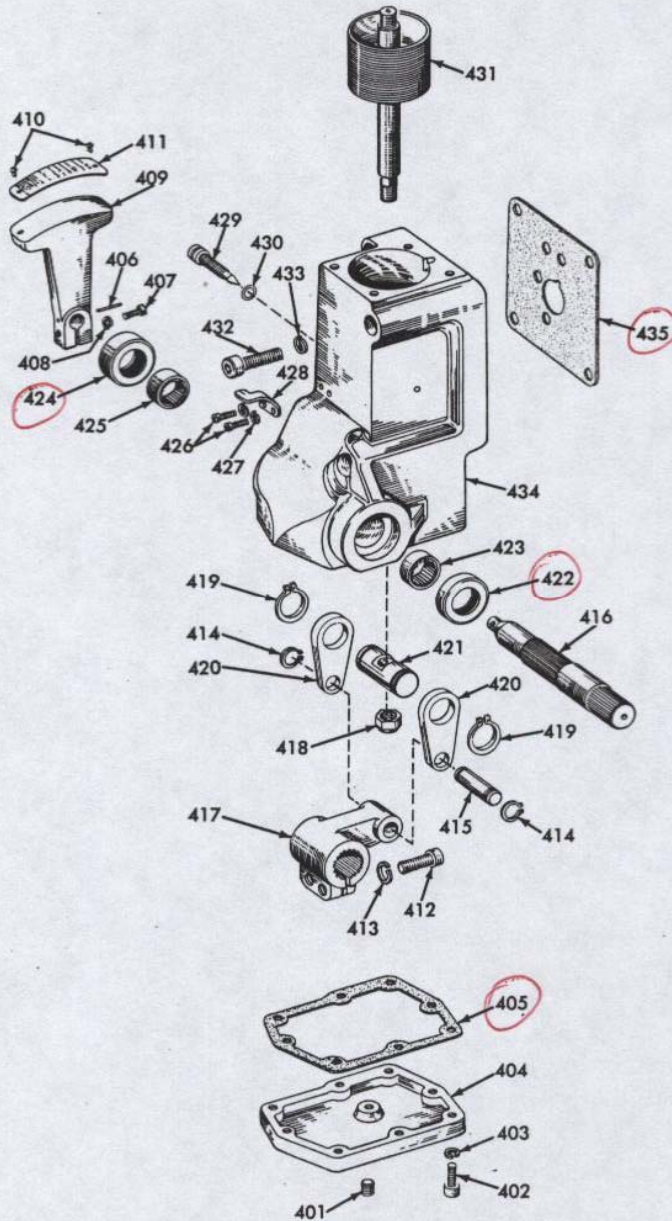


Figure 36

REF. NO.	PART NAME	NO. REQ'D.
36006-401	Drain Plug, 1/8 NPT.....	1
36006-402	Screw, Soc. Hd., 1/4-28 x 3/4.....	8
36006-403	Split Lock Washer, 1/4.....	8
36006-404	Power Cylinder Cover .....	1
36006-405	Cover Gasket .....	1
36006-406	Taper Pin, No. 2/0, (Rack Dial Segment) .....	1
36006-407	Screw, Soc. Hd., 10-32 x 5/8.....	1
36006-408	Split Lock Washer, No. 10.....	1
36006-409	Rack Dial Segment .....	1
36006-410	Drive Screw .....	2
36006-411	Terminal Shaft Scale .....	1
36006-412	Power Lever Clamp Screw, 5/16-18 x 7/8 .....	2
36006-413	Split Lock Washer, 5/16 .....	2
36006-414	Snap Ring, Small .....	2
36006-415	Power Lever Pin .....	1
36006-416	Terminal Shaft .....	1
36006-417	Power Lever .....	1
36006-418	Stop Nut, 7/16-20 (Rod End) .....	1
36006-419	Snap Ring, Large .....	2
36006-420	Power Piston Link .....	2
36006-421	Piston Rod Pin .....	1
36006-422	Oil Seal, Large .....	1
36006-423	Needle Bearing, Large .....	1
36006-424	Oil Seal, Small .....	1
36006-425	Needle Bearing, Small .....	1
36006-426	Screw, Soc. Hd., 8-32 x 3/8 .....	2
36006-427	Split Lock Washer, No. 8.....	2
36006-428	Rack Scale Pointer .....	1
36006-429	Compensating Needle Valve .....	1
36006-430	"O" Ring, (Needle Valve).....	1
36006-431	Power Piston Assembly .....	1
36006-432	Screw, Soc. Hd., 3/8-16 x 1.....	4
36006-433	Split Lock Washer, 3/8 .....	4
36006-434	Power Cylinder Assembly .....	1
36006-435	Gasket, Power Cyl./Case .....	1