

DIMENSIONS IN MILLIMETRES

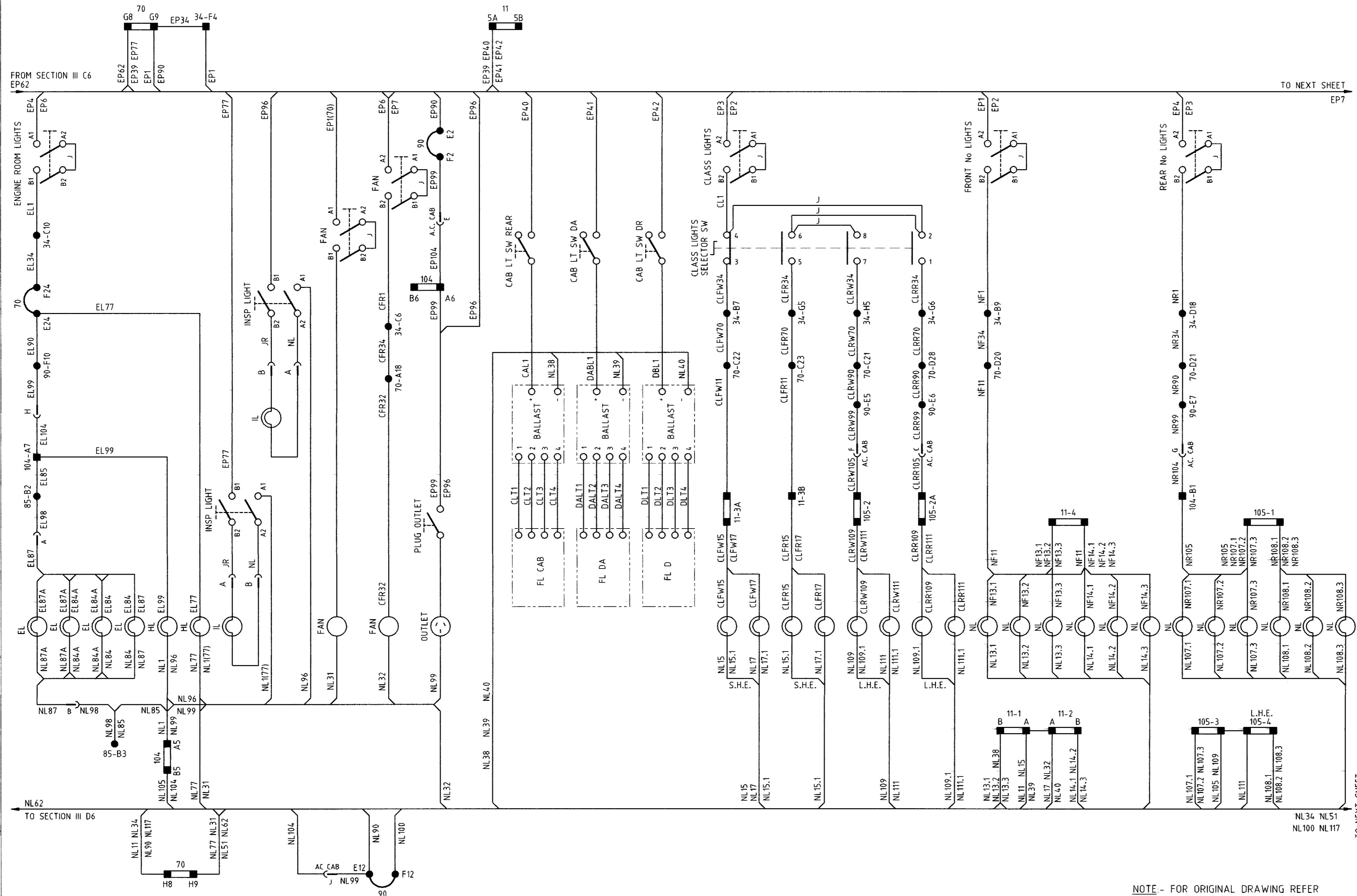
DO NOT SCALE

REMOVE ALL BURRS AND SHARP EDGES

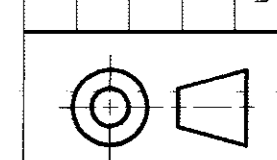
TOLERANCES ON MACHINING DIMENSIONS (UNLESS OTHERWISE NOTED) 0 TO 500 ± 0.5, 500 TO 1000 ± 1

FILENAME : 33171.dwg

PLOT VIEWS : ALL BUT 0



USED ON	ASSY.	DRG.



QUEENSLAND RAILWAYS 305 EDWARD STREET BRISBANE Q. 4000
 NO PART OF THIS DOCUMENT MAY BE REPRODUCED OR COPIED IN ANY FORM OR BY ANY MEANS WITHOUT THE WRITTEN PERMISSION OF QUEENSLAND RAILWAYS.
 DISCLAIMER: THIS DOCUMENT IS PRODUCED FOR QUEENSLAND RAILWAYS PURPOSES ONLY AND SHOULD NOT BE USED OR RELIED ON BY ANY PERSON OR CORPORATION. THIS DOCUMENT IS DISTRIBUTED ON THE BASIS THAT QUEENSLAND RAILWAYS EXPRESSLY DISCLAIMS ANY LIABILITY FOR THE USE OF THIS DOCUMENT FOR ANY PURPOSE OTHER THAN THAT FOR WHICH IT WAS INTENDED. ANYTHING DONE OR OMITTED TO BE DONE IN RELIANCE UPON ANY PART OF THE CONTENTS OF THIS DOCUMENT.

DATE	INIT'LS	CHKD.	CORRESP.

ALTERATION

REV.	

NOTE:- FOR ORIGINAL DRAWING REFER Q.R. DWG No. A2-DEW274

ITEM	DESCRIPTION	ORDERING SIZE	QTY PER ASSY	SPECIFICATION

MRE W. THOMAS

QUEENSLAND RAILWAYS
 OFFICE OF THE MANAGER, ROLLINGSTOCK ENGINEERING
DIESEL LOCOS 2181-2214 (EXTENDED CAB)
PHYSICAL CIRCUIT DIAGRAM-LIGHTING
GL26C-2 SECTION IV SHEET 1

SCALE	REF.
DRAWN A BOYD	
CHECKED 1998/11/7	A2-33171
APPROVED JCR	
DATE 20-11-98	REV.