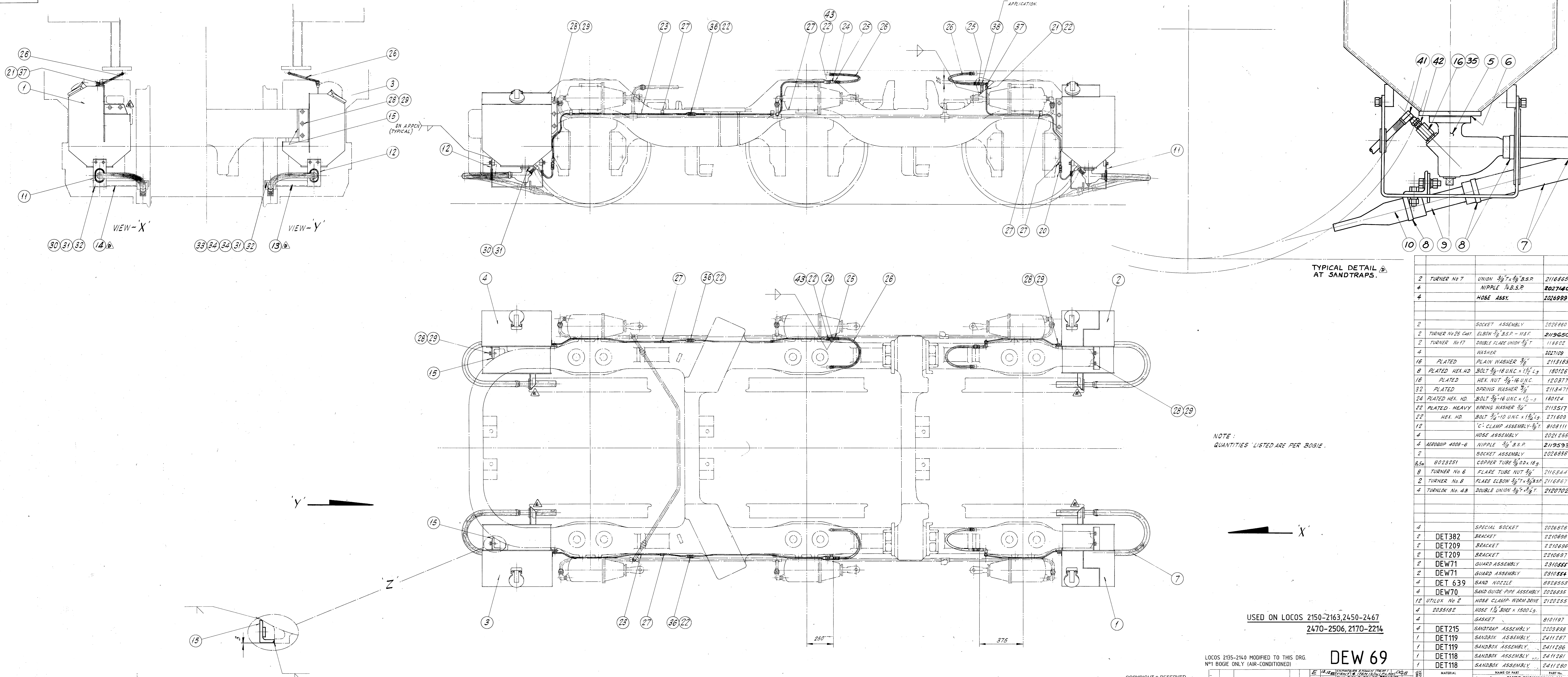


TOLERANCES ON ALL DIMENSIONS UNLESS OTHERWISE SPECIFIED—FRACTIONAL MACHINED—.001. CASTING—.005.

BREAK ALL SHARP EDGES UNLESS OTHERWISE SPECIFIED.

COUNTERSINK ALL TAPPED HOLES 120° ± ONE THIRD DEEP.

DO NOT SCALE WORK TO DIMENSIONS



TYPICAL DETAIL AT SANDTRAPS.

NOTE: QUANTITIES LISTED ARE PER BOGIE.

USED ON LOCOS 2150-2163, 2450-2467  
2470-2506, 2170-2214

DEW 69

LOCOS 2135-2140 MODIFIED TO THIS ORG.  
N°1 BOGIE ONLY (AIR-CONDITIONED)

2	TURNER No 7	UNION 3/8" x 3/8" B.S.P.	2116865	43
4		NIPPLE 1/2" B.S.P.	2027140	42
4		HOSE ASSY.	2026999	41
				40
				39
2		SOCKET ASSEMBLY	2026860	38
2	TURNER No 25 CAST	ELBOW 3/8" B.S.P. - 180°	2119650	37
2	TURNER No 17	DOUBLE FLARE UNION 3/8" T	116802	36
4		WASHER	2027109	35
16	PLATED	PLAIN WASHER 3/8"	2113183	34
8	PLATED HEX HD	BOLT 3/8"-16 UNC x 1 1/2" L <sub>g</sub>	180126	33
16	PLATED	HEX. NUT 3/8"-16 UNC.	120377	32
32	PLATED	SPRING WASHER 3/8"	2118471	31
24	PLATED HEX. HD	BOLT 3/8"-16 UNC x 1 1/2" L <sub>g</sub>	180124	30
22	PLATED - HEAVY	SPRING WASHER 3/4"	2113517	29
22	HEX. HD	BOLT 3/8"-10 UNC x 1 1/2" L <sub>g</sub>	271609	28
12		C-CLAMP ASSEMBLY-3/8" T	8108111	27
4		HOSE ASSEMBLY	2021255	26
4	AERODUP 4008-6	NIPPLE 3/8" B.S.P.	2119593	25
2		SOCKET ASSEMBLY	2026858	24
6.5m	8023251	COPPER TUBE 3/8" O.D. x 18"		23
8	TURNER No 6	FLARE TUBE NUT 3/8"	2116344	22
2	TURNER No 8	FLARE ELBOW 3/8" x 3/8" B.S.P.	2116667	21
4	TURNLOCK No. 4B	DOUBLE UNION 3/8" x 3/8" T	2120702	20
				19
				18
				17
4		SPECIAL SOCKET	2026828	16
2	DET382	BRACKET	2210699	15
2	DET209	BRACKET	2210696	14
2	DET209	BRACKET	2210697	13
2	DEW71	GUARD ASSEMBLY	2310555	12
2	DEW71	GUARD ASSEMBLY	2310554	11
4	DET 639	SAND NOZZLE	8828558	10
4	DEW70	SAND GUIDE PIPE ASSEMBLY	2026835	9
12	UTLUX No 2	HOSE CLAMP - NORM DRIVE	2120255	8
4	2035182	HOSE 1 1/2" BORE x 1500 L <sub>g</sub>		7
4		GASKET	8101197	6
4	DET215	SANDTRAP ASSEMBLY	2209898	5
1	DET119	SANDBOX ASSEMBLY	2411287	4
1	DET119	SANDBOX ASSEMBLY	2411286	3
1	DET118	SANDBOX ASSEMBLY	2411281	2
1	DET118	SANDBOX ASSEMBLY	2411280	1

The design as detailed on this drawing is the property of THE CLYDE ENGINEERING COMPANY PTY. LIMITED and/or its Associates and must be returned on demand. It is issued on the strict condition that except with our written permission it must not be reproduced, copied or communicated to any third party, nor be used for any purpose other than that stated in the particular enquiry, order or contract with which it is issued.

APPLICATION DETAILS OF ITEM 15

COPYRIGHT © RESERVED  
The design as detailed on this drawing is the property of THE CLYDE ENGINEERING COMPANY PTY. LIMITED, and/or its Associates and must be returned on demand. It is issued on the strict condition that except with our written permission it must not be reproduced, copied or communicated to any third party, nor be used for any purpose other than that stated in the particular enquiry, order or contract with which it is issued. The reservation of copyright in this document extends from each date appearing thereon and in respect of the subject matter as it appeared at the relevant date.

REV.	DATE	REVISION	BY	CHK.	REV.	DATE	REVISION	BY	CHK.
1					1				
2					2				
3					3				
4					4				
5					5				
6					6				
7					7				
8					8				
9					9				
10					10				
11					11				
12					12				
13					13				
14					14				
15					15				
16					16				
17					17				
18					18				
19					19				
20					20				
21					21				
22					22				
23					23				
24					24				
25					25				
26					26				
27					27				
28					28				
29					29				
30					30				
31					31				
32					32				
33					33				
34					34				
35					35				
36					36				
37					37				
38					38				
39					39				
40					40				
41					41				
42					42				
43					43				

CLYDE ENGINEERING (QLAND) PTY. LIMITED  
A MEMBER OF THE CLYDE INDUSTRIES GROUP OF COMPANIES  
SANDTRAP APPLICATION & PIPING ASSY - TRUCK MOUNTED  
DATE 9.5.78  
SCALE 1:10 & 1:5  
2501672  
(2501653)