

## MODERNIZATION RECOMMENDATION QUIET "Q" COOLING FAN GUARD TRAPDOOR APPLICATION

**PURPOSE:** To provide instructions for applying trapdoor to quiet ("Q") cooling fan guard.

**APPLICATION:** All "Q" fans.

**DISCUSSION:** Access to the fan plug on early "Q" fans was possible only through the access plates in the roof mounting sheet. Current production "Q" fans are equipped with a "trapdoor" which provides access to the fan plug through the fan guard. The "trapdoor" arrangement improves accessibility to the fan plug in the event that it is necessary to replace a "Q" fan. A fan guard trapdoor kit is now available for application to the original style fan guard.

**NEW MATERIAL  
REQUIRED:**

<u>PART NUMBER</u>	<u>DESCRIPTION</u>	<u>QUANTITY</u>
9540596	Trapdoor Modification Kit	1

**NOTE**

The above kit contains all components to modify one cooling fan.

Approximate price of the 9540596 trapdoor kit is \$63.00. The kit will be billed at the price in effect at time of shipment.

**PROCEDURE:** The trapdoor should be located in the fan guard as indicated in Fig. 1. For the following steps refer to Fig. 2.

1. Using a sabre saw, remove segments "C" and "D." File or grind remaining ends smooth.
2. Hook access door assembly over rung "B," as shown, so that horizontal ends rest on the radius bars "R." Using a suitable tool, close door eyes around rung "B."
3. Assemble clamps "F" over rung "D" with "nut side" down. Slide the clamps over the horizontal ends of the door, as shown.

4. Insert the bolt in each clamp assembly and tighten securely. When the unit is assembled, with bolts in place, be sure to deform several threads on the bottom of the bolt to prevent loss in the event bolts should vibrate loose. Guard should be touched up with paint to prevent rusting.

**TO OPEN DOOR:**

Simply loosen (do not remove) clamp bolts "F" using a 7/16" socket or wrench. Slide clamps outward. Door lifts up to provide access.

**CAUTION**

Make sure fan is disabled or "locked out" before opening trapdoor.

**TO CLOSE DOOR:**

Slide clamps over the horizontal ends of the door (as in Step 3) and tighten bolts securely.

It is recommended that when trapdoors are installed, a notch should be cut in the roof sheet, Fig. 3, to facilitate removal and installation of the cooling fan. The cover plate should be welded down to the fan mounting sheet, as it will no longer be used.

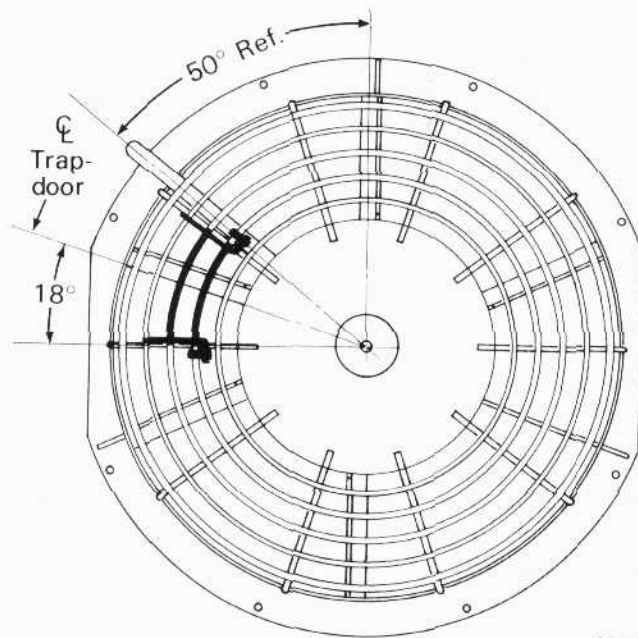
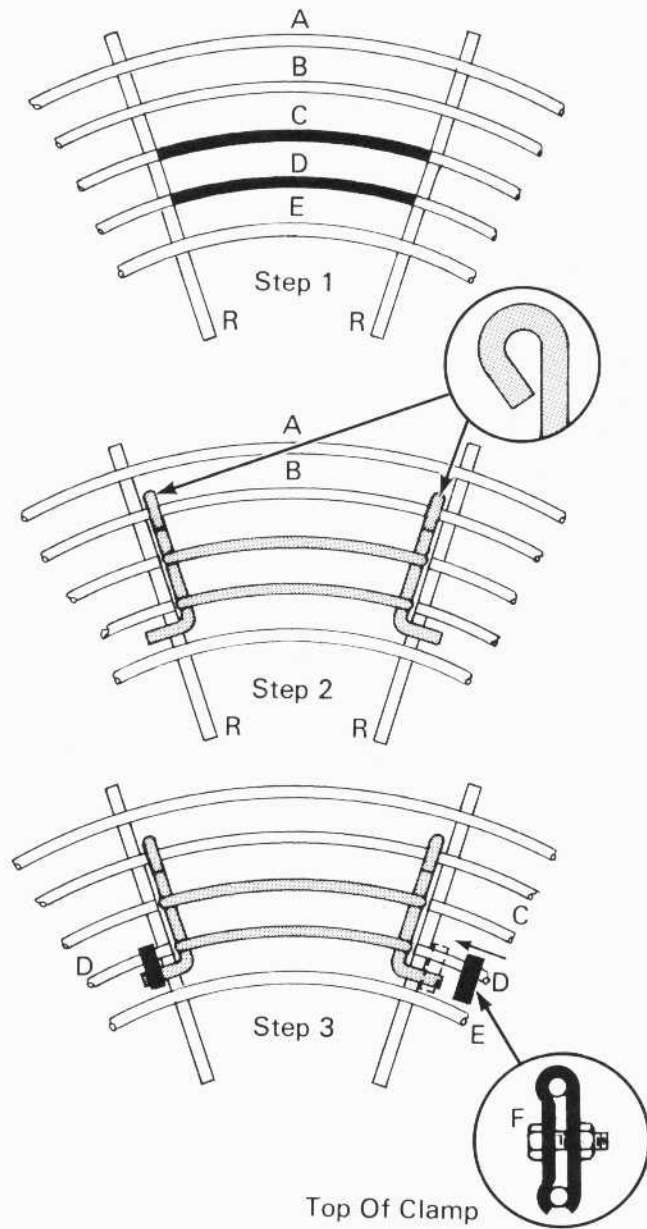
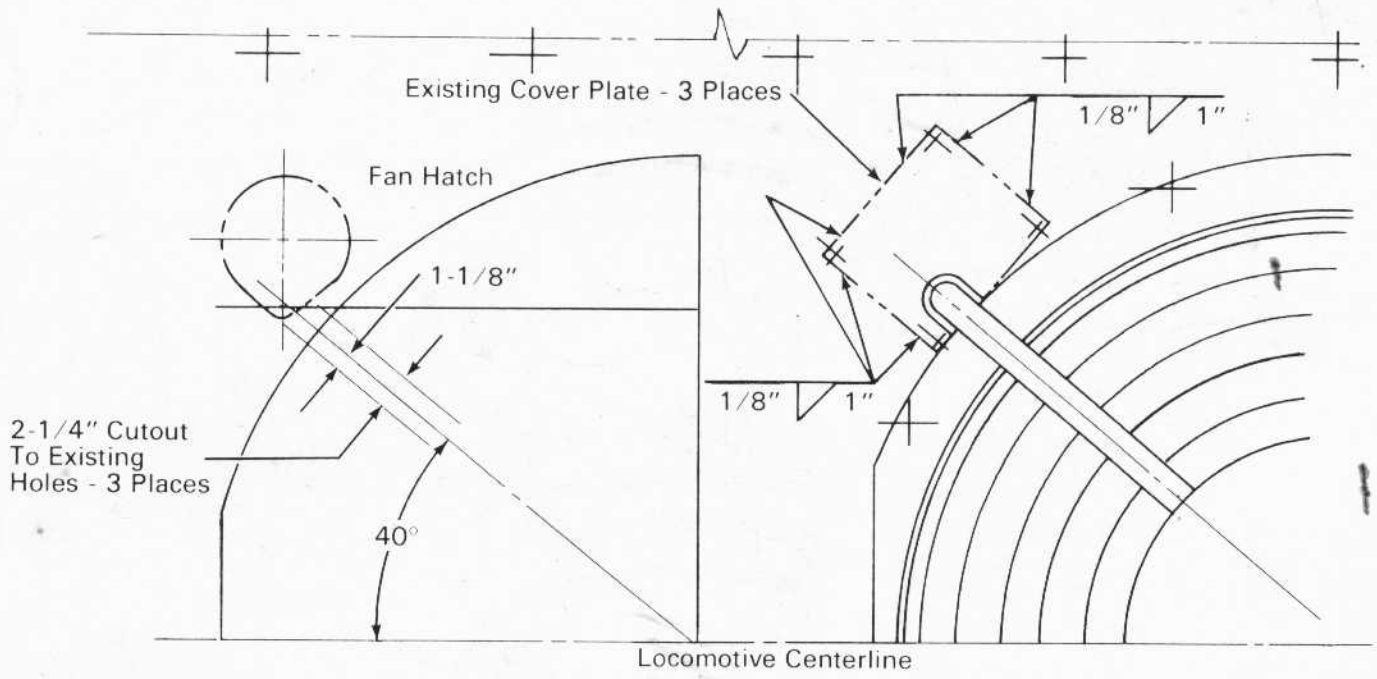


Fig.1 - Fan Guard Trapdoor Location



27530

Fig.2 - Installation Procedures



27531

Fig.3 - Fan Hatch Modification