

3203-1,
Sup. 3A2

WESTINGHOUSE AIR BRAKE COMPANY
AIR BRAKE DIVISION
WILMERDING, PENNSYLVANIA

3-CDC AIR COMPRESSOR
PC 557691

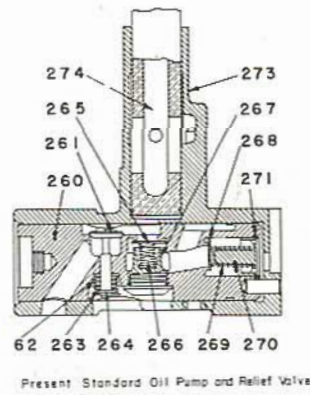
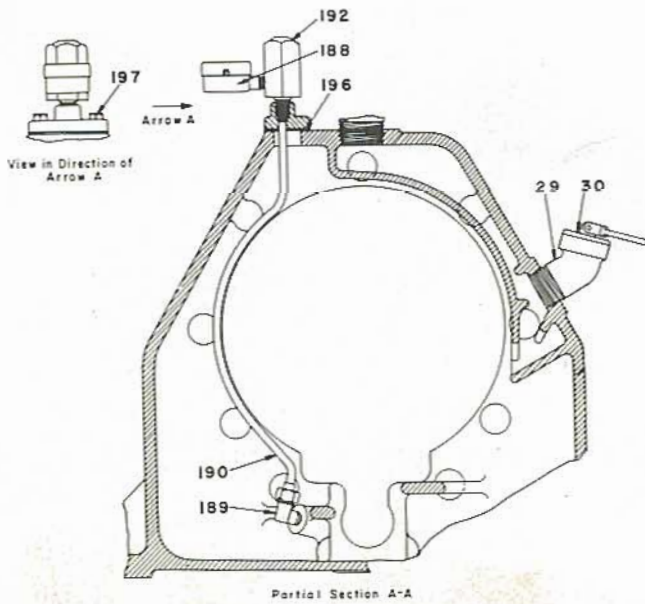
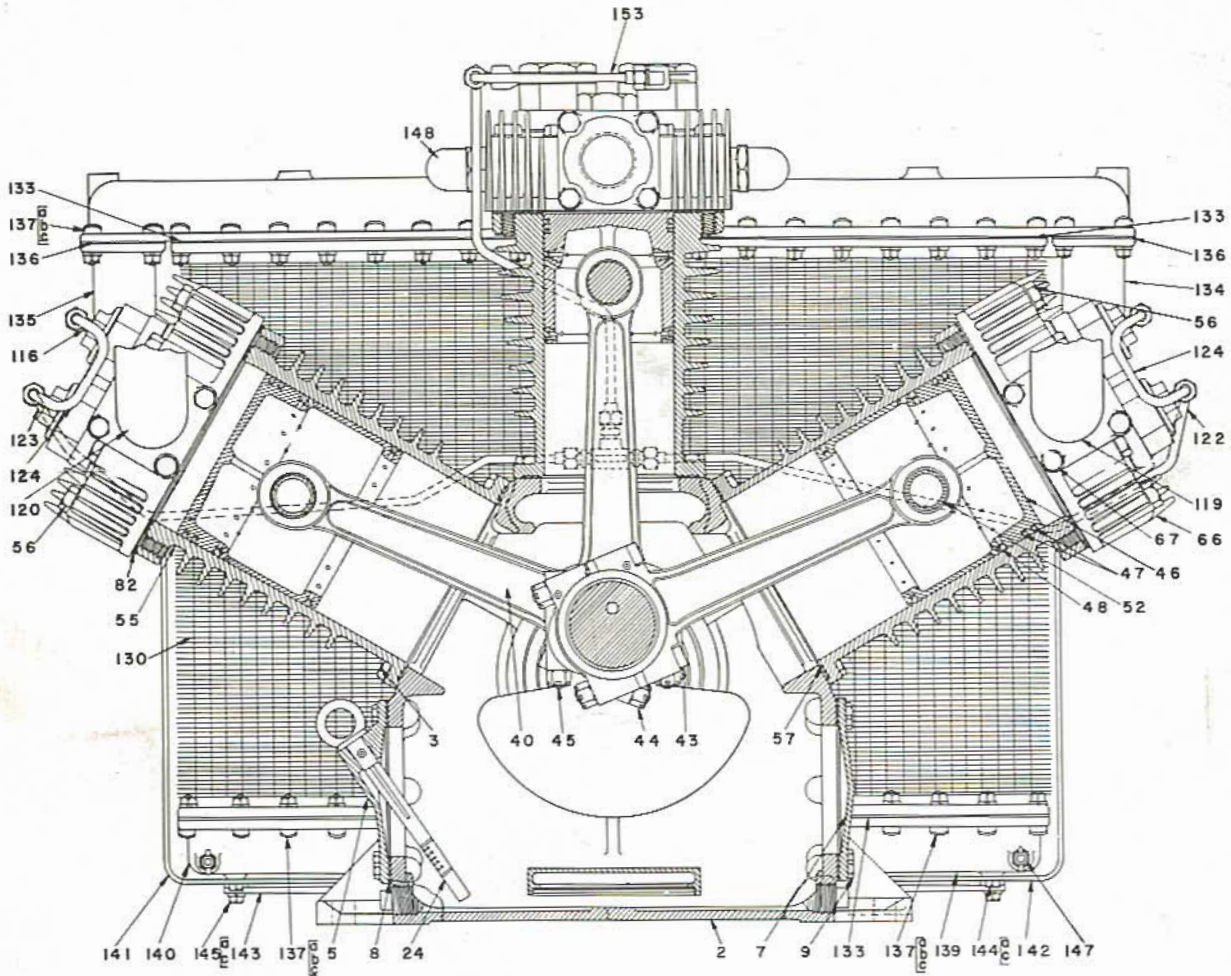
TEMPORARY PARTS CATALOG

NO. 3203-1, SUP. 3A2

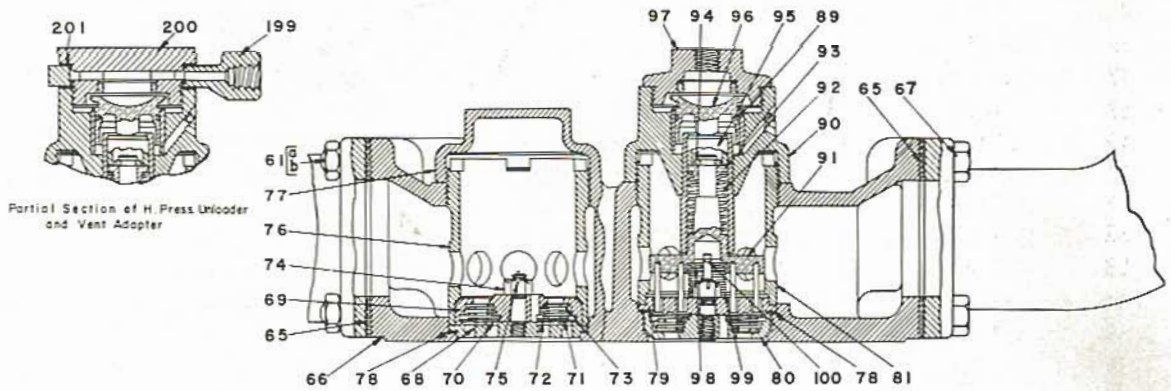
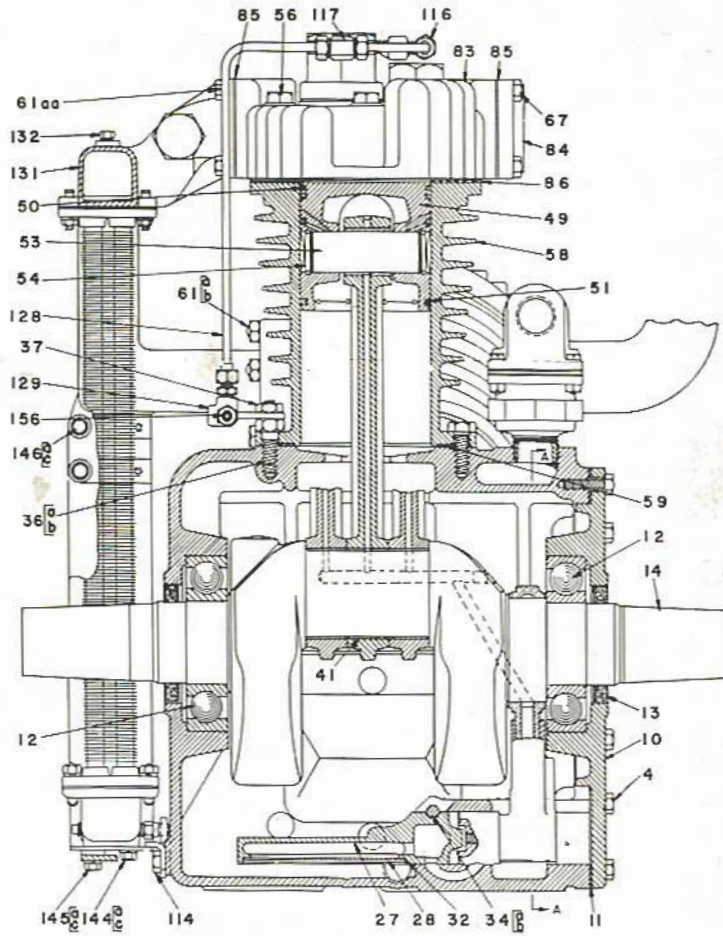
September, 1959

Supersedes issue of May, 1959

3-CDC AIR COMPRESSOR



3-CDC AIR COMPRESSOR



3-CDC AIR COMPRESSOR

Ref. No.	Pc. No.	Parts Name	No. Req'd
	557691	3-CDC AIR COMPRESSOR, Assembly	
	557692	. 3-CDC AIR COMPRESSOR, Assembly, with Intercooler and less Filters	
	557807	. 3-CDC AIR COMPRESSOR, Assembly, less Intercooler and Filters	
2	532638	.. CRANKCASE, (Includes Ref. Nos. 189, 190, 196, 197 and Pc. 33710)	1
3	1933	.. SCREW, Cap, Hex Hd., 5/8 x 1-5/8 in.	17
4	5951	.. SCREW, Cap, Hex Hd., 1/2 x 1-1/2 in.	11
5	543025	.. COVER, Side, with Oil Gage Receptacle	1
7	514590	.. COVER, Side	1
8	514591	.. GASKET, Cover.	2
9	7978	.. SCREW, Cap, 3/8 x 1 in.	16
10	514592	.. HOUSING, Main Bearing	1
11	514593	.. GASKET, Housing	1
12	141563	.. BEARING, Crankshaft	2
13	186063	.. SEAL, Oil	2
14	557700	.. CRANKSHAFT	1
24	543584	.. GAGE, Oil, Dipstick	1
27	540295	.. OIL FILTER, Assembly (Includes Ref. Nos. 28 and 32)	1
28	517747	.. SCREEN, Oil	1
	544265	.. OIL FILLING ELBOW, Assembly (Includes Ref. Nos. 29 and 30)	1
29	542296	.. ELBOW	1
30	69739	.. PLUG	1
32	517744	.. RETAINER, Screen	1
34a	5196	.. BOLT, Body, 1/2 x 4 in.	1
34b	2505	.. NUT, Hex, 1/2 in.	1
36a	559694	.. STUD, 5/8 x 2-7/16 in.	1
36b	27009	.. NUT, Hex, 5/8 in.	1
37	2505	.. NUT, Hex, 5/8 in.	1
40	538756	.. CONNECTING ROD AND CAP, less Bearings (Includes Ref. Nos. 43, 44, and 45)	3
41		.. BEARING, Connecting Rod and Cap ,See Schedule	
43	514617	.. BOLT, Connecting Rod, 5/8 x 4-1/2 in.	6
43	68770	.. NUT, Connecting Rod, 5/8 x 4-1/2 in.	6
45	17964	.. COTTER, 1/8 x 1-1/4 in.	6
46	518923	.. PISTON, Low Pressure	2
47	520123	.. RING, Compression	4
48	520133	.. RING, Oil	4
49	514621	.. PISTON, High Pressure	1
50	520125	.. RING, Compression	2
51	521195	.. RING, Oil	2
52	514622	.. PIN, Wrist, Low Pressure.	2
53	514623	.. PIN, Wrist, High Pressure	1
54	514624	.. RING, Retaining	6
55	514626	.. CYLINDER, Low Pressure	2
56	10607	.. SCREW, Cap, Hex Hd., 5/8 x 4-1/4 in.	18

3-CDC AIR COMPRESSOR

Ref. No.	Pc. No.	Parts Name	No. Req'd
57	514627	.. GASKET, Cylinder, Low	2
58	514629	.. CYLINDER, High Pressure	1
59	514630	.. GASKET, Cylinder, High	1
	518830	.. LOW PRESSURE CYLINDER HEAD, Assembly (Includes Pc. 514631, 518325, and 514676)	2
	514631	... LOW PRESSURE CYLINDER HEAD, Assembly, Less Unloaders (Includes Ref. Nos. 66, 76, 77, 81, 78, 61, Pc. 514634 & 518326)	2
61a	15073 STUD, 1/2 x 1-13/16 in.	8
61b	2505 NUT, Hex, 1/2 in.	8
61aa	3134	.. SCREW, Cap, 1/2 x 1-1/4 in.	4
65	514650	.. GASKET, Intake Flange (L.P. Cylinder)	4
66	514632	.. HEAD, Cylinder, L.P. (Includes Ref. Nos. 61a and b)	2
67	11760	.. SCREW, Cap, Hex Hd., 1/2 x 1-3/8 in.	12
	514634	.. DISCHARGE VALVE, Assembly (Includes Ref. Nos. 68 through 75)	3
68	516555	... SEAT, Valve	3
69	514636	... RETAINER, Spring	3
70	514637	... VALVE, Discharge and Inlet	9
71	514638	... VALVE, Discharge and Inlet	9
72	514639	... SPRING, Valve (Inner)	9
73	514640	... SPRING, Valve (Outer)	9
74	79069	... NUT, Seat, 5/16 in.	9
75	5735	... COTTER, 1/16 x 1/2 in.	9
76	514577	.. PLUG, Discharge Valve	3
77	514643	.. CAP, Discharge Valve	3
78	514644	.. GASKET, Discharge and Inlet	9
	518326	.. LOW PRESSURE INLET VALVE, Assembly, Less Unloader Return Spring (Includes Ref. Nos. 98, 99, 100 and Pc. 514645)	6
	514645	.. LOW PRESSURE INLET VALVE, Assembly, (Includes Ref. Nos. 70 to 75 and 79 and 80)	6
79	514646	... SEAT, High and Low Pressure	6
80	516556	... RETAINER, Spring, Valve.	6
81	514642	.. PLUG, Valve, Inlet	6
82	514651	.. GASKET, Head, (L.P.)	2
	558431	.. HIGH PRESSURE CYLINDER HEAD, with Unloader and Vent Adapter	1
	514652	... HIGH PRESSURE CYLINDER HEAD, Assembly (Includes 76, 77, 78, 81, Pc. 514634, 518326 and 83)	1
83	514654 HEAD, Cylinder, H.P.	1
84	514670	.. FLANGE, Discharge, H.P.	1
85	514650	.. GASKET, Flange	2
86	514655	.. GASKET, Head, Cylinder	1
89	518472	.. RING, Packing, Unloader	6
	558432	.. HIGH PRESSURE UNLOADER BODY with Valves, Cap Nut and Vent Adapter (Includes Ref. Nos. 90, 95, 96, 199, 200 and 201)	2
90	514657	... BODY, Unloader	6

Prices will be quoted upon application
Orders should give PIECE NUMBER and NAME of part wanted

3-CDC AIR COMPRESSOR

Ref. No.	Piece Number	Parts Name	No. Req'd
	514676	.. PLUNGER with SPRING, Unloader	6
91	514677	... PLUNGER	6
92	514663	... SPRING	6
93	514664	... RETAINER, Spring	6
94	551620	... WASHER, Retainer	6
95	514666	.. SEAL, Pressure	6
96	514667	.. VALVE, Unloader (Includes Ref. No. 89)	6
97	519809	.. NUT, Cap, Low Pressure, Unloader Valve	4
98	515412	.. WASHER, Cage, Spring	6
99	518476	.. SPRING, Return	6
100	518478	.. COTTER, 1/16 x 1/4 in.	6
114	5328	.. SCREW, Cap, 1/2 x 1 in.	4
	518325	.. LOW PRESSURE UNLOADER BODY, Assembly (Includes Ref. Nos. 90, 95, 96 and 97)	4
116	518709	.. BODY, Elbow, 1/4 in.	3
117	518710	.. BODY, Tee, 1/4 in.	3
119	557703	.. FLANGE, Strainer (R.H.)	1
120	557704	.. FLANGE, Strainer (L.H.)	1
122	523875	.. TUBE, Riser, (R.H.)	1
123	523877	.. TUBE, Riser, (L.H.)	1
124	519412	.. TUBE, Unloader (L.P.)	2
128	558643	.. TUBE, Riser (H.P.)	1
129	523879	.. MANIFOLD, Tube	1
	557693	.. INTERCOOLER, Assembly	1
	557694	... INTERCOOLER, Assembly, less Selector Valve	1
130	557695 UNIT	2
131	557804 COVER and PLUG, Header	1
132	97588 PLUG, Pipe, 1/4 in.	1
133	515174 GASKET, Top and Bottom	4
134	557698 RISER, R. Side	1
135	557699 RISER, L. Side	1
136	515177 GASKET, Riser.	2
137a	547747 BOLT, 3/8 x 1-3/8 in.	72
137b	1296 NUT, Hex, 3/8 in.	72
137c	17173 WASHER, Lock, 3/8 in.	72
139	515178 COVER, Header, Bottom (R.S.)	1
140	515179 COVER, Header, Bottom (L.S.)	1
141	516009 BRACKET, Intercooler (L)	1
142	516008 BRACKET, Intercooler (R)	1
143	515182 STRAP, Tie, Bottom	1
144a	7978 SCREW, Cap, 3/8 x 1 in.	4
144c	17173 WASHER, Lock	4
145a	25410 SCREW, Cap, 3/8 x 1-3/8 in.	4
145c	17173 WASHER, Lock	4

Prices will be quoted upon application
Orders should give PIECE NUMBER and NAME of part wanted

3-CDC AIR COMPRESSOR

Ref. No.	Piece Number	Parts Name	No. Req'd
146a	17140 SCREW, Cap, 3/8 x 1-3/4 in.	8
146c	17173 WASHER, Lock	8
147	172097 DRAIN COCK, 1/4 in.	2
148	10526-0060 E-1 SAFETY VALVE, Assembly	2
	1635 PLUG, Pipe, 1/4 in.	2
153	558641	.. TUBE, Connecting	1
156	519174	.. FITTING, Stud, 1/4 in.	3
188	541915	.. GAGE, Pressure, Oil	1
189	531105	.. ELBOW, Union with Choke, 1/4 in.	1
190	554834	.. TUBING, Gage	1
192	541912	.. DAMPENER, Pulsation	1
196	544837	.. GASKET, Dampener	1
197	15784	.. SCREW, Cap, 3/8 x 1-1/8 in.	2
199	558370	.. ADAPTER, Vent, H.P.	2
200	558351	.. NUT, Cap	2
201	558371	.. GASKET	4
	537543	.. BREATHER, Assembly (See Parts Catalog No. 3203-1, Sup. 4)	1
	540293	.. OIL PUMP CARTRIDGE, Assembly	1
260	540275	.. SEAT, Valve, Inlet and Discharge	1
261	540277	.. VALVE, Inlet	1
262	540278	.. SPRING, Valve	1
263	540279	.. SEAT, Spring	1
264	540280	.. RETAINER, Seat	1
265	540281	.. VALVE, Discharge	1
266	540288	.. SPRING, Valve, Discharge	1
267	540289	.. STOP, Valve, Discharge	1
268	540281	.. VALVE, Relief	1
269	540282	.. SPRING, Valve, Relief	1
270	540283	.. SEAT, Spring	1
271	536944	.. RING, Retaining	1
273	540294	.. BODY, Oil Pump	1
274	540285	.. PLUNGER, Oil Pump	1
	33710	.. PLUG, Pipe, 1 in. (Crankcase)	2
	552596	.. FILTER, Intake	2

Prices will be quoted upon application
Orders should give PIECE NUMBER and NAME of part wanted

3-CDC AIR COMPRESSOR

OVERSIZE PISTONS AND PISTON RINGS

Ref. No.		Piston Diameters and Piece Numbers			
		.010" Oversize	.020" Oversize	.030" Oversize	.040" Oversize
46	PISTON, L.P. less Rings	523912	523913	523914	528025
47	RING, Compression L.P.	523401	523402	523403	530644
48	RING, Oil, L.P.	523404	523405	523406	530648
49	PISTON, H.P., Less Rings	523915	523916	523917	528024
50	RING, Compression, H.P.	523392	523393	523394	530643
51	RING, Oil, H.P.	523395	523396	523397	530646

CONNECTING ROD AND CAP BEARING

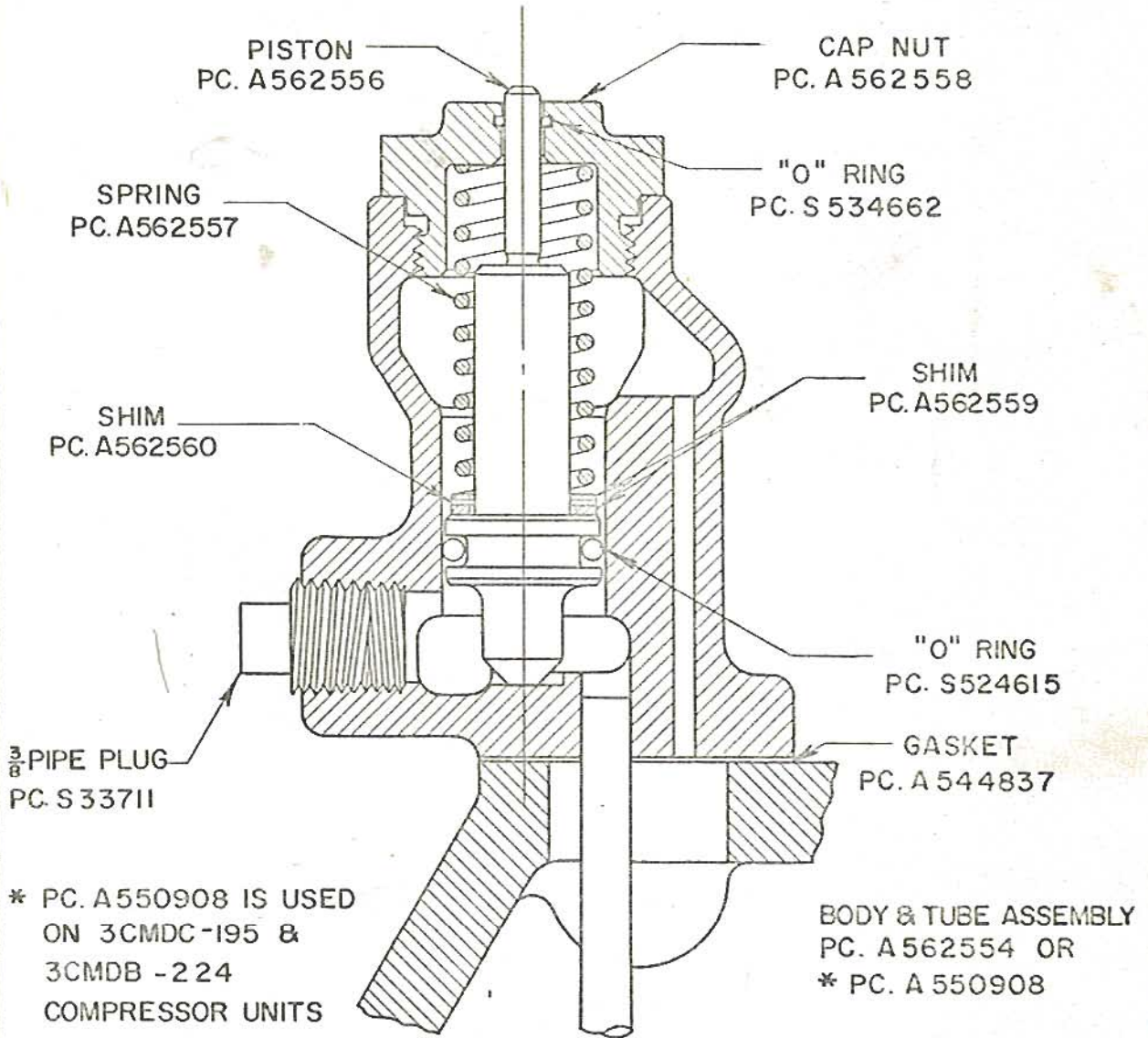
Pc. No.	Size	Req'd	Pc. No.	Size	Req'd
540589	Standard	3	551823	Undersize .021	3
551817	Undersize .001	3	540591	Undersize .030	3
541078	Undersize .010	3	551826	Undersize .031	3
551820	Undersize .011	3	540592	Undersize .040	3
540590	Undersize .020	3	551829	Undersize .041	3

Prices will be quoted upon application
Orders should give PIECE NUMBER and NAME of part wanted

REVISIONS

- A 2-25-60
M.D.W. W.H.G.
- 3-16-60
M.D.W. W.H.G.

COMP. PC. NO.	TYPE OF COMPRESSOR, EXHAUSTER OR COMPRESSOR-EXHAUSTER
A562553	3CD, 3CB, 3CDB, 3CDC, 3CDV, 3CDCU, & 3CDU-A
A562579	3CMDC - 195 & 3CMDB - 224 COMPRESSOR UNITS



* PC. A550908 IS USED ON 3CMDC-195 & 3CMDB - 224 COMPRESSOR UNITS

BODY & TUBE ASSEMBLY
PC. A562554 OR
* PC. A550908

NEW STANDARD

3 CD TYPE AIR COMPRESSORS
3CDV EXHAUSTERS & 3CD TYPE COMBINATION COMPRESSOR & EXHAUSTERS
OIL PRESSURE INDICATOR

DRAWN
M.D.W.
1-18-60
CHECKED

WESTINGHOUSE AIR BRAKE CO.
WILMERDING, PA.

3 SHEETS
SHEET 3
G-851