

CATALOGO DE PARTES Y PIEZAS  
MOTOR G.E. MODELO 7 FDL-8B  
DE 8 CILINDROS 1.800 HP 1.050 RPM

FERRONOR

**CATALOGO DE PARTES Y PIEZAS MOTOR G.E.  
MODELO 7 FDL – 8B DE 8 CILINDROS 1800 HP 1050 RPM.**

**PB            DESCRIPCION**

PB 90000 002A	LOCATION OF ENGINE PART GROUPS	
PB 91008 001A	MAIN FRAME, CRANKSHAFT AND MAIN BEARINGS	
PB 91208B	CAMSHAFT, CROSSHEADS, GEAR AND BEARINGS, SECTIONAL	
PB 91350A	BALANCE SHAFTS, IDLER SHAFTS AN GEARS	
PB 91400C	PRESSURE SWITCH	
PB 91408 001B	TIMING NAMEPLATE APPLICATION EIGHT CYLINDER ENGINES	
PB 91500B	COVER GENERATOR END	
PB 91600B	CRANKCASE INSPECTION OPENING COVER	
PB 92202 001	WATER PUMP AND CONNECTION	
PB 92381 005 B	LUBE OIL RELIEF VALVE	
PB 92302 001	LUBE OIL PUMP AND MOUNTING	
PB 93105 001D	CYLINDERS, PUSH RODS AND ROCKER ASSEMBLIES WITH FUEL LINKAGE, FUEL INJECTION NOZZLE AND FUEL PUMP MOUNTING	
PB 93302	FUEL INJECTION NOZZLE	
PB 93342	FUEL INJECTION PUMP	
PB 93404 002A	PISTON AND RINGS	
PB 93502	CONNECTING ROD	
PB 94012 004	TURBOCHARGER INSTALLATION WITH WATER AND LUBE OIL PIPING	
PB 94203 001	EXHAUST STACK AND INSTALLATION	
PB 94308	TURBOCHARGER	
PB 94508 001	INTERCOOLERS, AIR INTAKE MANIFOLD	
PB 94608 A	INLET AND DISCHARGE WATER HEADER	
PB 94808	ROTOR	
PB 95208	EXHAUST MANIFOLD, MULTIPIPE	

PB 96010C	GOVERNORS DRIVE	
PB 95208	EXHAUST MANIFOLD, MULTIPipe	
PB 96010C	GOVERNORS DRIVE	
PB 96108	FUEL CONTROL LINKAGE	
PB 96201 001	OVERSPEED EXTENSION LINK	
PB 96202C	OVERSPEED TRIP DEVICE	
PB 96300 001A	OVERSPEED GOVERNOR	
PB 97000C	ENGINE CONTROL GOVERNOR	
PB 97501 001A	ENGINE REGULATING GOVERNOR MOUNTING AND LINKAGE	
PB 98108 002	FUEL OIL, LUBE OIL, WATER PIPING AND FUEL FILTER	
PB 98118 001A	PRESSURE BIAS GOVERNOR AIR LINE KIT	
PB 98200C	FUEL BOOSTER PUMP AND MOTOR	
PB 99105 002A	ALTERNATOR GENERATOR ALIGNMENT & POWER PLANT MOUNTING	
	NUMEROS DE PARTE	



# GE Renewal Parts

---

## LOCOMOTIVE

## ONE-STEP

## ORDERING

## KEY

### For Diesel Engine Application

The following information is required when ordering Diesel Engine Renewal Parts from General Electric.

- CUSTOMER NAME
- COMPLETE SHIPPING ADDRESS
- COMPLETE BILLING ADDRESS
- PURCHASE ORDER REFERENCE
- PART NUMBER
- ITEM DESCRIPTION
- DELIVERY REQUIREMENT
- COMPLETE ROUTING/SHIPPING INSTRUCTIONS

Parts orders should be placed with GE Transportation Systems Parts Center at the following location:

**GE Transportation Systems**  
2901 East Lake Road  
Erie, Pennsylvania 16531

## ENGINE CATALOG PART NUMBERS

The Engine Part Numbers in the Engine Renewal Parts Catalog are divided into twenty-four (24) functional groupings. Functional grouping numbers consist of first three digits plus "X".

### Group No.

### Diesel Engine Parts

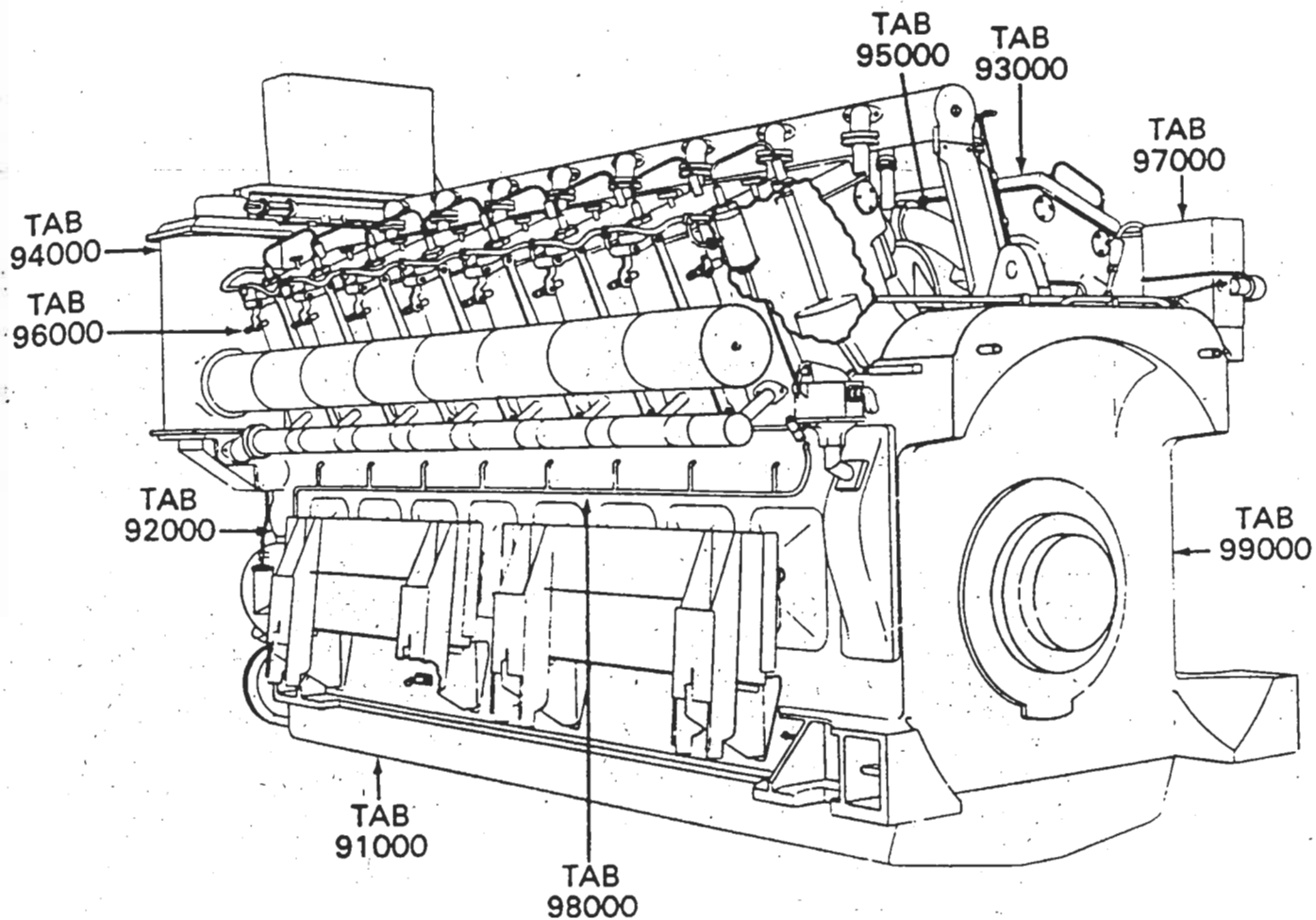
114X	- Sub-base, Main Bearings, End Covers
115X	- Miscellaneous Standards (Gaskets, Bolts, etc.)
116X	- Timing Mechanism Camshaft and Bearings
117X	- Connecting Rods, Bearings, Caps and Bolts
119X	- Crankshaft System, Oil Seals, Generator Adapter
121X	- Cylinder Liners and Cylinder and Head Assembly
123X	- Air and Exhaust Valves, Fuel Injector Nozzle and Holder
124X	- Cylinder Valve Levers, Casings and Brackets, Cross Head and Push Rods
125X	- Water Pumps
126X	- Turbochargers
128X	- Air and Exhaust Manifolds
129X	- Engine Turning Device
131X	- Frame, Covers, and Main Bearing Caps
132X	- Fuel Injection Pumps, Fuel Oil Filters, and Fuel Injection Linkage
134X	- Gauges on Engines, Name Plates, Decals
135X	- Gears
136X	- Governors, Overspeed Governor, and Hour Meters
139X	- Lube Oil Pumps, Drive and Filters
140X	- Piping and Fittings
142X	- Pistons, Piston Rings, and Piston Pins
146X	- Springs
147X	- Tools
149X	- Fuel Booster and Pressure Regulator Valves
150X	- Gasket Sets and Miscellaneous Engine Parts

Catalog Number example:

- 142X1040-2 Steel Crown Piston
- 142X1040-2 "142X" identifies piston part
- 142X1040 "1040" identifies specific piston design
- 142X1040-2 "-2" identifies latest model piston

If a part is modified several times the dash number indicating the latest part design may become "-1", "-2", "-3", etc. with the latest dash number ONLY being completely interchangeable with all previous designs. Parts ordered will be automatically upgraded to the latest design engine part.

When a modification is made that is not completely interchangeable, then the specific design numbers are changed.



TAB 91000	Main Frame Assembly
TAB 92000	Forward End Cover
TAB 93000	Power Assembly
TAB 94000	Turbochargers and Intercoolers
TAB 95000	Manifold, Exhaust
TAB 96000	Fuel Linkage System
TAB 97000	Engine Control Governor
TAB 98000	Fuel and Lube Oil Piping
TAB 99000	Power Plant Mounting

FIG. 1. MAJOR ENGINE EQUIPMENT LOCATIONS.

## ENGINE CATALOG

## SECTION 90000

THE ENGINE CATALOG IS DIVIDED INTO NINE DISTINCT SUBSECTIONS.

90000	LOCATION OF MAJOR ENGINE ASSEMBLIES
91000	MAIN FRAME ASSEMBLY
92000	FORWARD END COVER (FREE END)
93000	POWER ASSEMBLY
94000	TURBOCHARGERS & INTERCOOLERS
95000	MANIFOLD, EXHAUST
96000	FUEL LINKAGE, OVERSPEED SYSTEM & GOVERNOR DRIVE
97000	ENGINE CONTROL GOVERNOR
98000	FUEL & LUBE OIL PIPING
99000	POWER PLANT MOUNTING, ALTERNATOR, GENERATOR & COUPLING ALIGNMENT